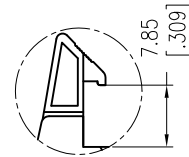
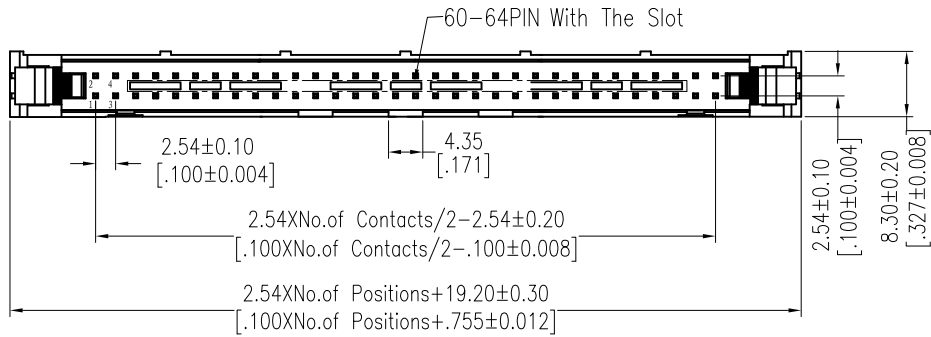


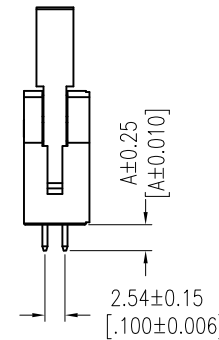
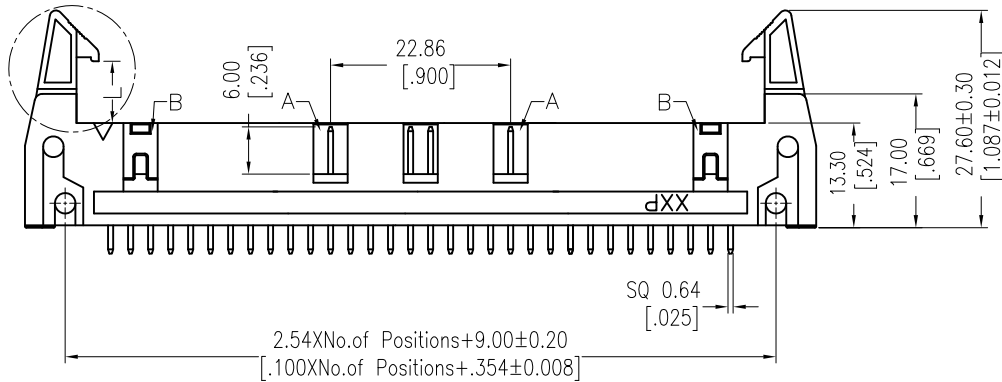
# Lat-Con, Series 050, 180° Male Header, different Latch Options



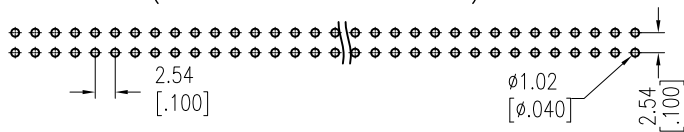
Long Latch



Short Latch



Recommended P.C.B Layout(Top Side)  
(PCB BOARD TOLERANCE±0.05)



**NOTES:**

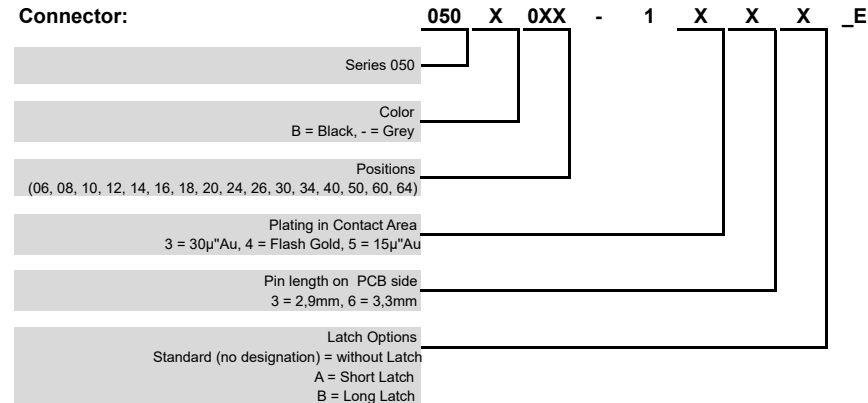
Current Rating: 3,0 AMP  
 Contact Resistance: 20mΩ max.  
 Withstand Voltage: 1000V AC/DC  
 Insulation Resistance: 1000MΩ min.  
 Operation Temperature: -40°C to +105°C

Contact Material: Copper Alloy  
 Contact Plating: Sn over Ni (Au on request)  
 Insulator Material: PA9T GF (UL94 V-0)

OPERATION	
X.X	±0.40
X.XX	±0.25
X.XXX	±0.15
Angle	± 3°
DIM	TOL

Positions	Feature A	Feature B
6 - 18		
20 - 58		x
60 - 64	x	x

**Connector:**



REV	DATE	NOTE	NAME
1	22.04.2021	issued	JAL